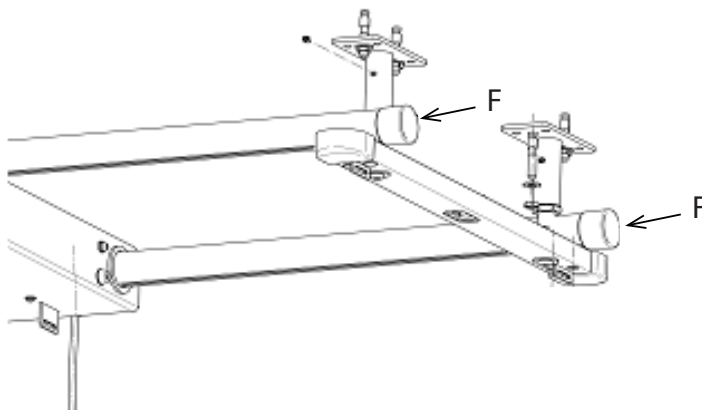


NB: This is a guide to how you install a new Redcord Traverse (prod. # 14028) on a new Redcord Sliding Suspension System (SSS) (prod. # 14027)

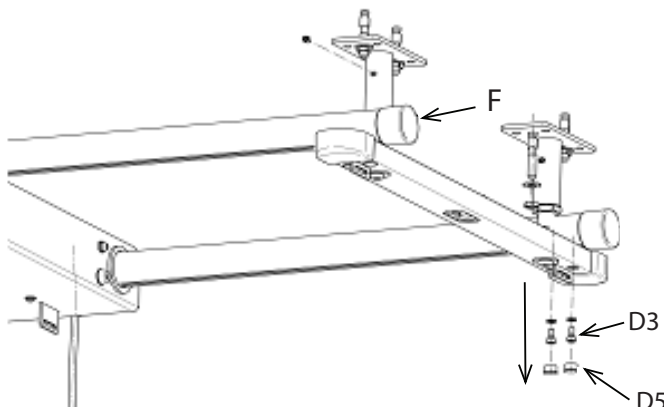
To mount an extra traverse onto your SSS two persons are required.

Please contact your supplier if you have any questions.
An overview of suppliers can be found on www.redcord.com

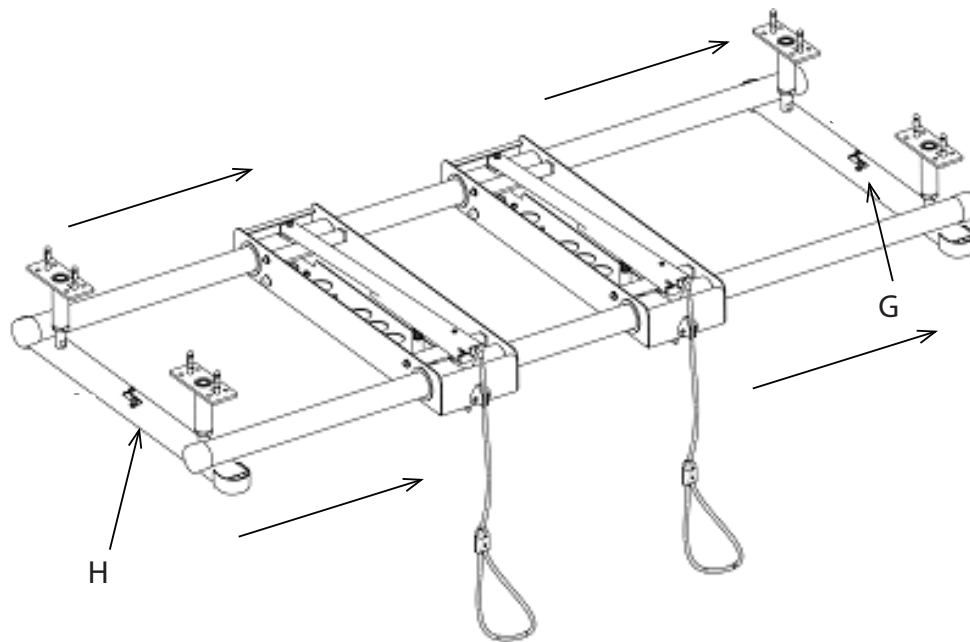
- 1) Temporarily remove the end caps (F) from one end of the aluminum sections.



- 2) Remove the black plastic plugs (D5) and the two screws (D3) that fasten the crosspiece to the aluminum sections. Do this at each end of the aluminum sections.

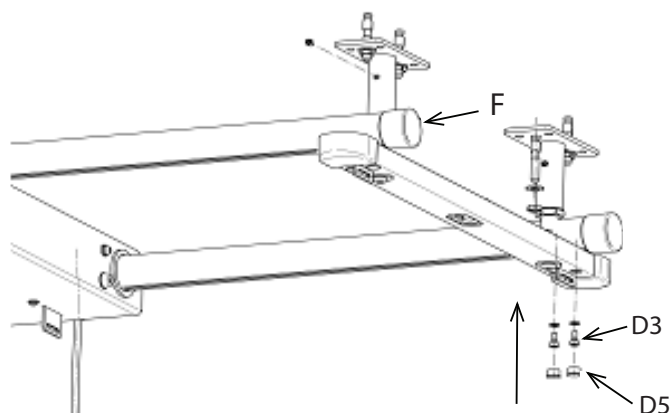


- 3.1)** After the end caps are removed and the aluminum sections are loosened, push the aluminum sections carefully backward on crosspiece (G). When the aluminum sections are free from the crosspiece (H) an extra traverse can be placed on the aluminum sections.



- 3.2)** Slide the extra traverse onto the aluminum sections/rails by passing the 2 rails through the holes in the new traverse. Put the end caps back on the aluminum sections. Ensure that the brake arm and the rope on the new traverse are on the same side of the SSS as the brake arm and the rope for the already mounted traverses. When the traverse has been placed on the aluminum sections, pull the aluminum sections carefully back on crosspiece (H) and assemble the aluminum section to the crosspiece again by following the next figure.

- 4)** Assemble the aluminum sections to the crosspieces with screws (D3). Do this at each end of the aluminum sections. Put the black plugs (D5) in the screw holes after mounting is ready. Put the end caps (F) back on the aluminum sections.



The SSS is then ready for use.